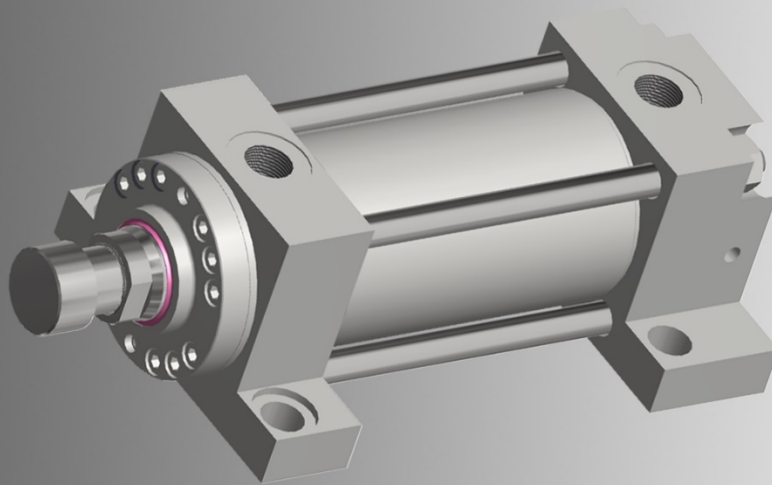


Hydraulic Cylinder with Adjustable Piston Rod Protrusion



Hydraulic cylinders offer the highest power density of all common drive technologies in mechanical engineering and mold making. By using hydraulic cylinders, you use very compact units that can provide extreme forces.

In addition to this force, accuracy in movement and positioning are becoming increasingly important in a wide variety of applications.

HYDROPNEU also offers hydraulic cylinders with an adjustable piston rod protrusion. This can be essential if the position of the hydraulic cylinder in the retracted state is of great importance to you and you ideally want to adjust it after installation in your plant to compensate for madness or inaccuracies,

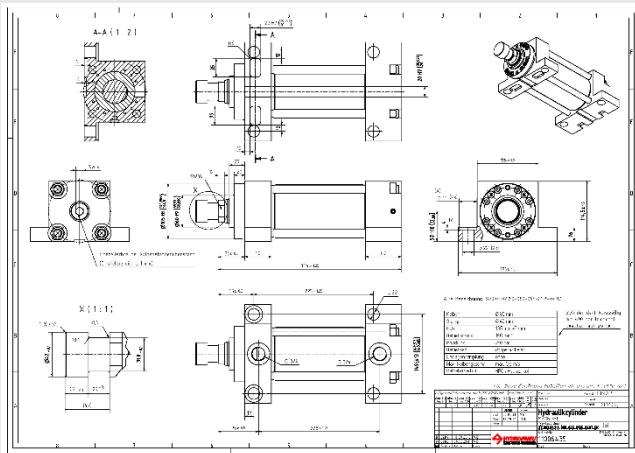
You can change the end position of the piston rods of these cylinders by turning an adjusting screw and this way adapt them to your application. We will define the adjustment range together with you during the project planning stage and design it accordingly.

Typical applications are for example core pull cylinders in die casting molds or positioning cylinders in assembly systems.

We would be happy to advise you and design the cylinder according to your wishes and requirements.



Hydraulic Cylinder with Adjustable Piston Rod Protrusion



- ▶ End position adjustable
- ▶ Subsequently adaptable
- ▶ Easy mounting
- ▶ Very accurate
- ▶ Economical solution

Example:

This hydraulic tie rod cylinder is used on a die casting mold as a core pull cylinder. It moves a slider that is crucial for the accuracy of the part to be produced. During the sprue, the first parts are precisely measured, and the position of the slider is adjusted accordingly in order to obtain the required values. Due to the complexity of the casting process and the shape of the part, it is difficult to simulate the result in advance and the accompanying adjustment of the position is the simplest and most economical solution here. Our cylinder can also be used to subsequently react to wear and tear on the mold.

Technical Data:

Hydraulic Cylinder ZZ.003.02.2.0-080-045-0135-0487-EK	
Mounting Method:	Foot mounting with key
Piston-Ø:	80 mm
Piston Rod-Ø:	45 mm
Piston Rod End:	Coupling pin
Stroke:	130 mm
Operating Pressure Pushing:	160 bar
Operating Pressure Pulling:	240 bar
Operating Mode:	Double-acting
End Position Cushioning:	Without
Operating Fluid:	HFC / HLP
Further Equipment:	Adjustable piston rod projection Adjustment range +/- 1mm
Hydropneu Article Number:	11006435

