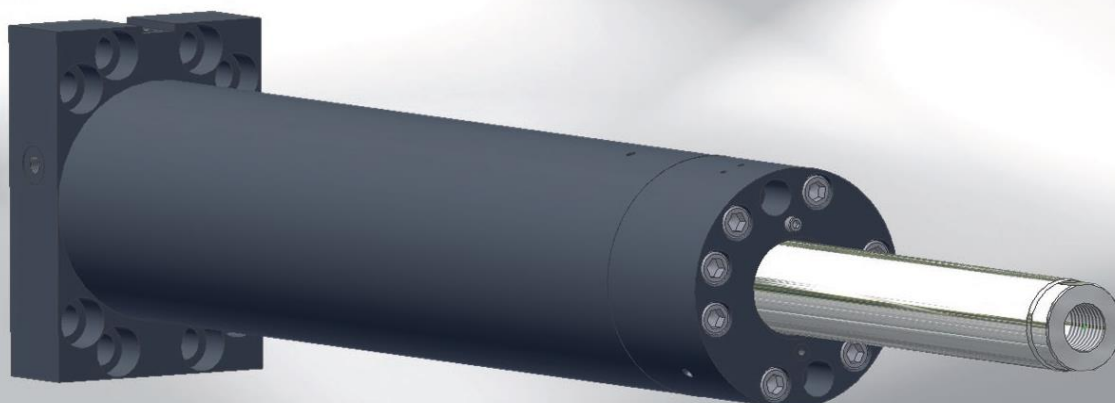


Hydraulic Cylinder with External Guidance FZ



Function:

The highlight of the hydraulic single-rod cylinder type FZ is its tempered external guidance surface on the cylinder tube.

Having a large-sized surface on the cylinder tube, this cylinder undertakes the task of ensuring a very solid guidance of load in motion which is coupled with the piston rod.

This single rod cylinder is optionally available with damping on one or on both sides.

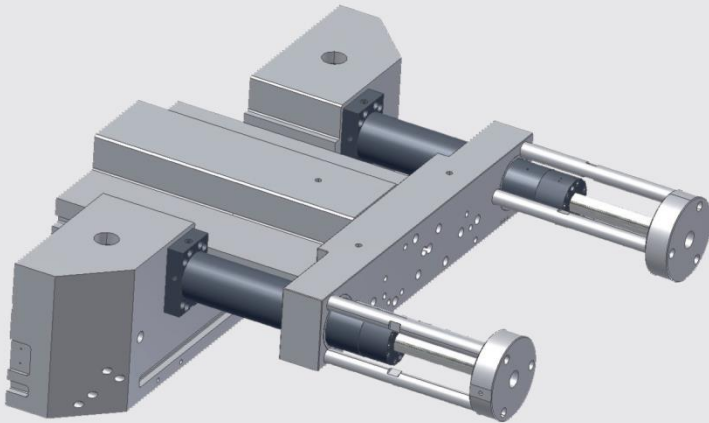
In addition, cylinders with air bleed connections or with self bleeding are available.

Different positions of hydraulic connections enable a very flexible attachment to the machine or to the tool.

HYDROPNEU constructs the guided cylinder fulfilling your needs and depending on your requirements.



Hydraulic Cylinder with External Guidance FZ



Applications and Operational Areas:

FZ cylinders are mainly used in pressure foundries by large tools with heavy valves.

Generally, two guided cylinders and the piston rods are coupled to the valve using a cross-head, which takes over the counterpart to the guidance.

In this configuration, the piston area of the cylinder is used to pull the valve.

Technical Data:

- ▶ **Piston diameter:**
40 - 160mm
- ▶ **Piston rod diameter:**
28 - 110 mm
- ▶ **Stroke:**
Up to 1000 mm
- ▶ **Operating pressure:**
160 bar
- ▶ **Form of construction:**
Flange on bottom
- ▶ **Piston rod:**
With external or internal thread
- ▶ **Connections:**
Sideways or on the side of the piston on the flange area
- ▶ **Damping:**
On the head, on the bottom or on both sides, adjustable
- ▶ **Seals:**
Different models, piston rings for the area of die casting